

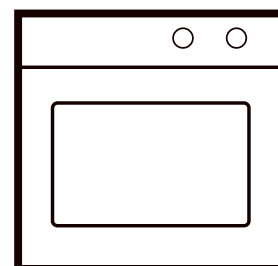
Installation instructions

Important - Save for the local electrical inspector's use.

EEB 6800.0

EEB 6600.0

EEB 6500.0




For your information...

Be sure to read the information in this manual carefully before you install the oven.

Please keep this manual in a safe place and pass it on to future owners for their information and safety.

The following symbols are used in this operating manual:

 The warning triangle will alert you about possible health risks or things that can cause potential damage to your appliance.

 You'll find useful hints and information when you see this symbol.

Warranty

This warranty is extended to the original purchaser and succeeding owners for products purchased for ordinary home use. It does not cover its use in commercial situation. Should the appliance be sold by the original purchaser during the warranty period, the new owner continued to be protected until the expiration date of the original purchaser's warranty period. Save your dated receipt or other evidence of the installation/occupancy date. Proof of original purchase date is needed to obtain service under warranty. The warranty applies even if the owner should move during the warranty period.

Küppersbusch does not assume any responsibility for consequential or incidental damages. This warranty provides you with certain legal rights. You may also have other rights which may vary from state to state.

What Is Covered

For one full year from the date of the original purchase, we will provide parts, service and labor in your home to repair or replace any part of the cook top that fails because of a defect in materials or workmanship. This service is provided free of charge. All warranty service will be provided by an authorized technician during normal business hours.

What Isn't Covered

- Service by an unauthorized agency will not be reimbursed. Likewise, the warranty doesn't cover any damage or repairs due to service performed by an unauthorized agency, or by the use of unauthorized parts.
- Service visits to teach you how to use the appliance.
- Service visits to correct the installation. You are responsible for providing electrical wiring and other connecting facilities.
- Reset circuit breakers or replace home fuses.
- Damage resulting from accident, alteration, misuse, improper installation, abuse or installation not in accordance with local electrical codes, or improper storage of the appliance.
- Repairs due to other than normal household use.

Disposing of the packaging and the old appliance

Be sure to dispose of the transport packaging properly. Disposal should not have a negative impact on the environment. Recycling the packaging saves raw materials and reduces the amount of waste.

Be sure to dispose of your old appliance properly, as well. Even if it can no longer be used, it still contains useful materials. Before discarding an old appliance, disconnect the power cord and remove the door to prevent it from becoming a hazard.

Contents

General	3
Installation requirements	3
Installation in a high cabinet	3
Installation under a countertop	3
Installation under a cooktop	4
Electrical supply	4
Installation	4
Inserting the appliance	
Fastening the appliance	
Installing the individual telescopic glide-out shelves (acc.-no. 601)	5

For technical information and/or replacement parts, please contact the **Küppersbusch Customer Care line** at **1-800-459-0844**

For the most efficient assistance, please have the Model and Serial numbers for the appliance available.

General

- ⚠ Turn off the power source before installing the oven.
- ⚠ **WARNING!** In case the oven is not installed and secured in accordance with this installation instructions, there is a risk of tipover! Check after installation that the fastening screws are securely seated and that the appliance cannot be moved.
- ⚠ Only KÜPPERSBUSCH built-in cooktops have been designed and tested for installation above a KÜPPERBUSCH built-in oven. No other cooktops may be used above the oven.
- ⚠ Only qualified personnel should perform installations and repairs on electrical appliances. Do not repair or replace any part of the appliance unless specifically recommended in this manual. Do not put your safety at risk.

Installation requirements

The oven must be placed on a board that can support a minimum of 62.5 kg/ 140 lb. The oven is placed in direct contact with the side walls of the opening with the frame overlapping these side walls.

WARNING! The furniture or adjacent side walls must be secured so the installed oven can't tilt.

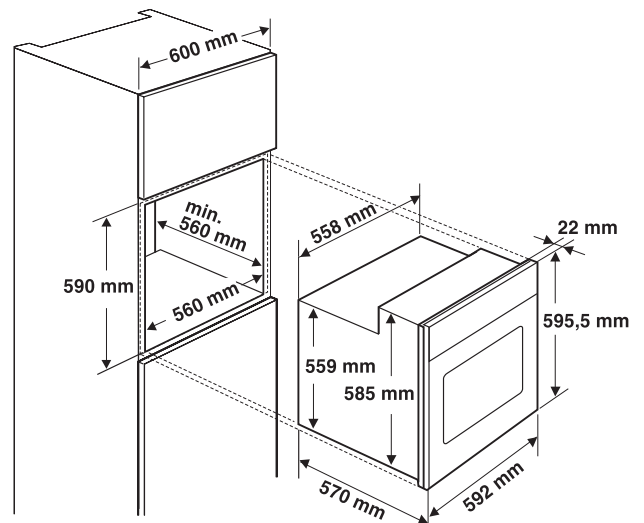
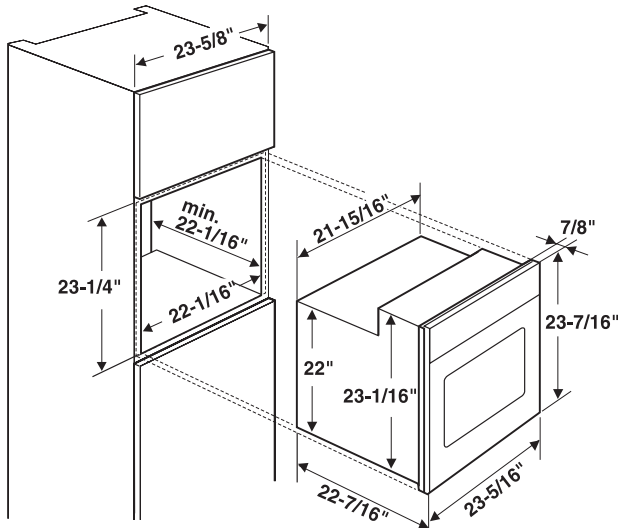
Make sure there's an opening in the back so there is enough air available for cooling the oven. If there isn't an opening, cut a hole with at least 300 cm²/ 45 in² depth in one of the adjacent surfaces, preferably in the bottom board or top cover.

All components surrounding the oven should have a temperature resistance of up to 100 °C/210 °F. This includes varnishes, edge bands, plastic surfaces, adhesives and paints. The adjacent furniture fronts should be temperature-resistant up to at least 70 °C/160 °F.

To eliminate the risk of burns or fire by reaching over heated surface units, cabinet storage space located above the surface units should be avoided. If cabinet storage is to be provided, the risk can be reduced by installing a range hood that projects horizontally a minimum of 5 inches beyond the bottom of the cabinets.

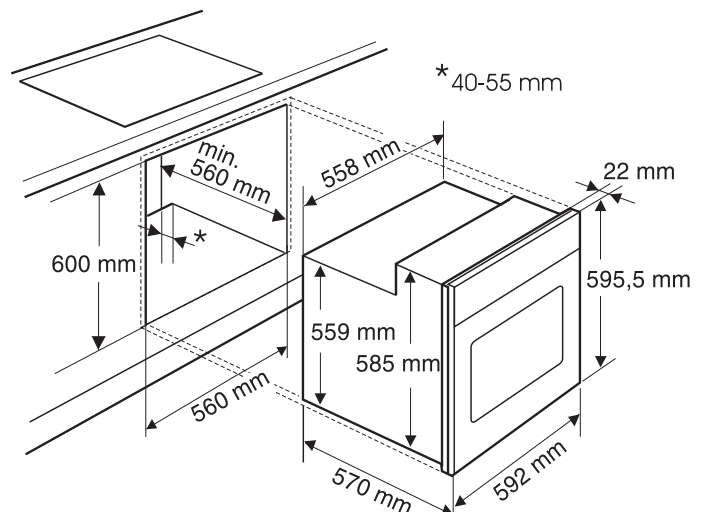
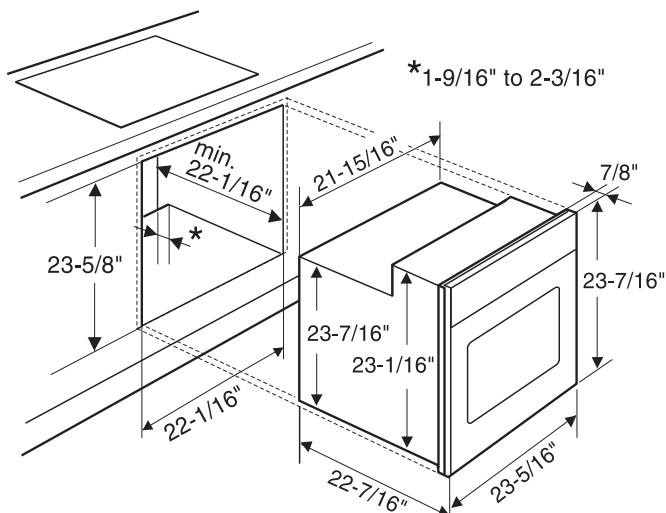
Installation in a high cabinet

The frame of the oven overlaps the side walls on the right and left.



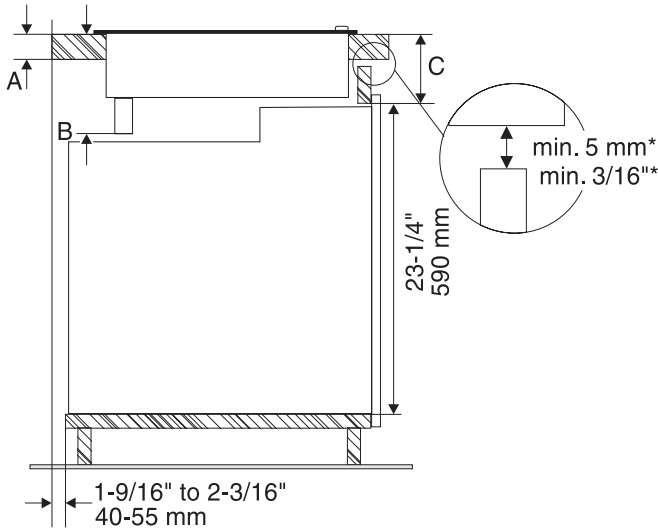
Installation under a countertop

The frame of the oven overlaps the boundary of the opening on all sides.



Installation under a cooktop

The following KÜPPERSBUSCH built-in cooktops may be installed above the oven:



Model:	„A“	„B“	„C“		
EKE 854.1 EKE 854.2 EKE 804.2 EKE 604.2	30-50 mm 1-1/8 to 2"	103 mm	4-1/16"	≥ 80 mm	≥ 3-1/8"
EGS 304.0*		97 mm	3-13/16"	≥ 80 mm	≥ 3-1/8"
EKS 304.1*		85 mm	3-3/8"	≥ 65 mm	≥ 2-9/16"
EKS 604.2 EKS 804.2		103 mm	4-1/16"	≥ 80 mm	≥ 3-1/8"

- * The gap between the countertop and the front panel is not necessary for the models EGS 304.2 and EKS 304.1.
- You will find the recess size and installation conditions for the cooktop in the installation instructions for the cooktop.

Electrical supply

⚠ Only a qualified technician can install a conduit box or replace a connection cable.

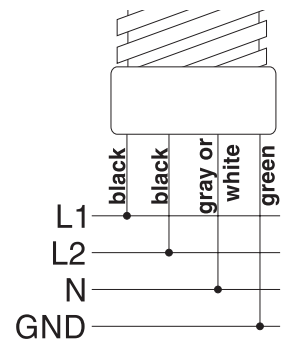
Conduit box

Don't install the conduit box in the installation area or above a worktop! Attach it to the side, underneath the wall, or in a high cabinet under the installation surface. There must be a hole for the conduit cable in either the bottom opening or the wall.

Electrical supply

The power supply should be a 120/240 volts system, 3-wire with ground.

Electrical diagram for a 120 / 240 volts system, 3-wire with ground:



Be sure to install an appropriate conduit box (not furnished) to connect the oven. Don't shorten the conduit to facilitate service! The conduit should be routed to permit the removal of the oven.

Installation, electrical connections and grounding must comply with all applicable local codes.

■ The conduit-box must be protected by a circuit breaker or fuse, having amperage as noted in this chapter.

Connected load 240 V, 60 Hz, 3.6 kW

Fuse current 15 A

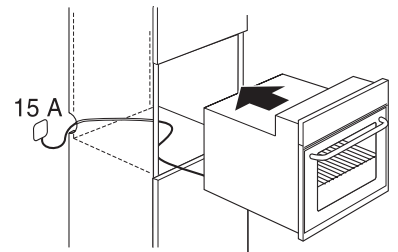
– Connect the cable to the conduit box.

☞ When the oven is connected, the clock flashes! Set the time as described in the user's guide.

Installation

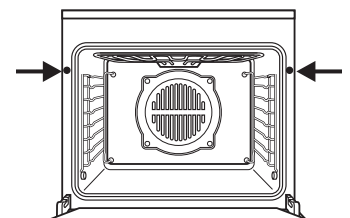
Inserting the appliance

– Push the appliance right into the cabinet opening. Don't pinch the appliance cable!



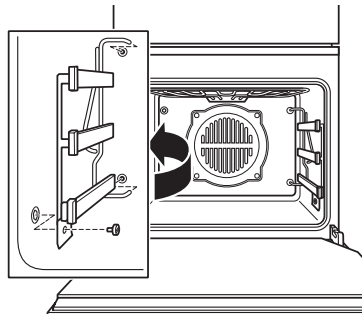
Fastening the appliance

– Open the oven door and attach the appliance with the enclosed screws - inserted at an angle - to the cabinet element from the inside out.



Installing the individual telescopic glide-out shelves (acc.-no. 601)

- Unscrew the side grids.
These screws are used to fasten the individual telescopic glide-out shelves.
- Insert the individual telescopic glide-out shelves at the back into the holes in the intermediate wall and screw the individual telescopic glide-out shelves at the bottom front to the side walls. (With the shelf rack screws!)



KÜPPERSBUSCH

112 N. East Street, Suite C

Tampa, Florida 33602

Telephone: 813-229-7096 Fax: 813-229-0982

Customer Care line: 1 - 800 - 459 - 0844

www.kuppersbuschusa.com

KÜPPERSBUSCH is a brand of Teka USA, Inc.

Küppersbusch

THE HEART OF A GOOD KITCHEN